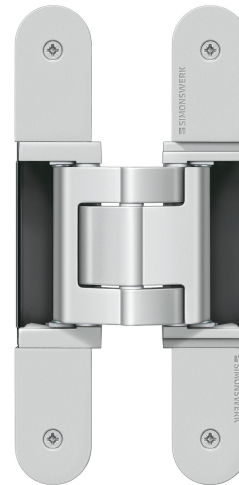


## TE 540 3D A8

for unrebated heavy-duty doors with claddings up to 8 mm on both sides



### Product features

- cladding up to 8 mm
- completely concealed hinge system
- for timber, steel or aluminium frames
- for unrebated heavy-duty doors
- sideways closed hinge body for a homogeneous mortise appearance
- with comfortable 3D adjustment (side +/- 3,0 mm, height +/- 3,0 mm, compression +/- 1,0 mm)
- maintenance-free slide bearings

### Technical data

Property	Value
Load capacity	100,0 kg
Overall length	200,0 mm
Width (door part)	32,0 mm
Width (frame part)	32,0 mm
Cutter diameter	24,0 mm
Collar ring diameter	30,0 mm
Opening Angle	180°

### Quality marks



Certification CE



Certification IFT



Certification UL

warringtonfire

Certification Warringtonfire

### Classification key

4	7	5	1 <sup>*1</sup>	1	— <sup>*2</sup>	1	12
---	---	---	-----------------	---	-----------------	---	----

\*1 Test evidence for functional doors to be achieved with full door sets and assemblies.

\*2 depending on the finish

**TECTUS - TE 540 3D A8**

**Notes**

The load capacity mentioned above refers to the use of 2 hinges per door leaf (1 x 2 m), for detailed information please look at the chapter "technical information".

With an opening position of 180° the door may have to be fixed additionally.

**Installation tools**

- Universal milling frame
- Template 5 250680 5 step 1
- Template 5 250681 5 step 2
- Template 5 250682 5 step 3
- Template 5 250687 5 step 3 (without cladding)

**Combinations**

- TE 540 3D FZ
- TE 540 3D A8 SZ
- TE 540 3D ST
- Cover plate set TECTUS A8 radius

**Function range**



burglar resistance



fire resistance



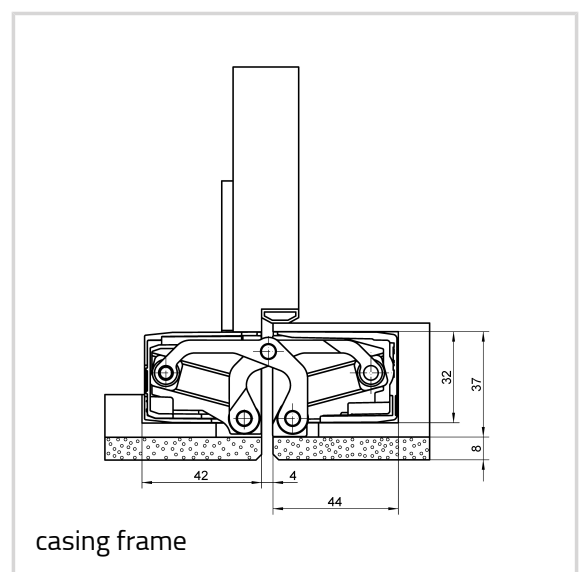
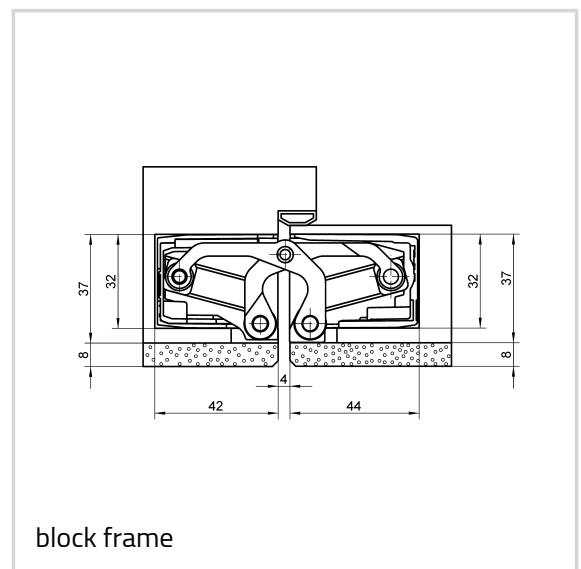
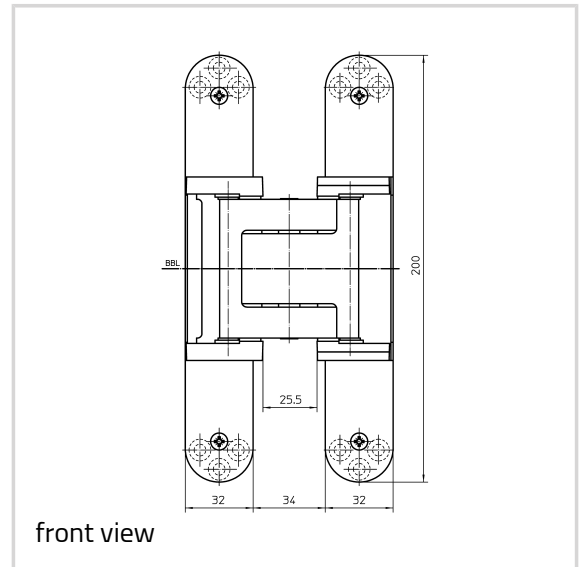
smoke resistance



soundproof

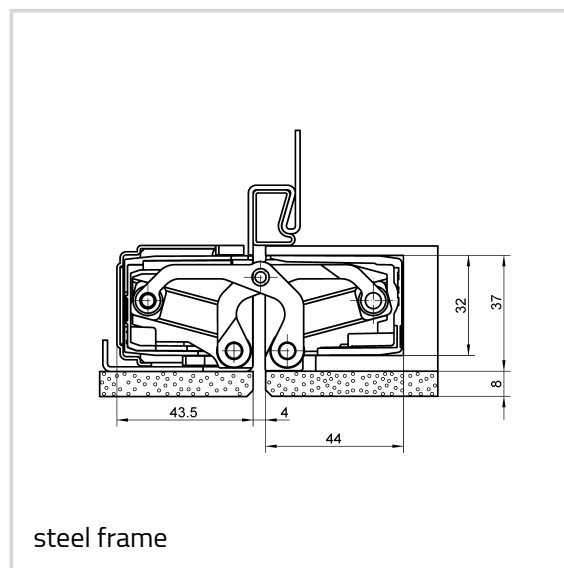
**Item versions**

Finish	polished brass (030)
OF-No.	030
VPE	pack of 2
DIN	DIN right and left hand
Article number	5 400695 0 03002



**TECTUS - TE 540 3D A8**

EAN	4015471126513
Finish	polished nickelled (038)
OF-No.	038
VPE	pack of 2
DIN	DIN right and left hand
Article number	5 400695 0 03802
EAN	4015471127329
Finish	satin brassed (047)
OF-No.	47
VPE	pack of 2
DIN	DIN right and left hand
Article number	5 400695 0 04702
EAN	4015471130824
Finish	RAL 9016 Traffic White (070)
OF-No.	070
VPE	pack of 2
DIN	DIN right and left hand
Article number	5 400695 0 07002
EAN	4015471127367
Finish	RAL 9005 Matte Black (107)
OF-No.	107
VPE	pack of 2
DIN	DIN right and left hand
Article number	5 400695 0 10702
EAN	4015471128265
Finish	Satin Chrome Look (F1) (124)
OF-No.	124
VPE	pack of 2
DIN	DIN right and left hand
Article number	5 400695 0 12402
EAN	4015471128272
Finish	Satin Nickel Look (F2) (125)
OF-No.	125
VPE	pack of 2
DIN	DIN right and left hand



**TECTUS - TE 540 3D A8**

Article number	5 400695 0 12502
EAN	4015471128289
Finish	Stainless Steel Look (SSL) (126)
OF-No.	126
VPE	pack of 2
DIN	DIN right and left hand
Article number	5 400695 0 12602
EAN	4015471128319
Finish	Satin Nickel (144)
OF-No.	144
VPE	pack of 2
DIN	DIN right and left hand
Article number	5 400695 0 14402
EAN	4015471128364
Finish	Satin Chrome (146)
OF-No.	146
VPE	pack of 2
DIN	DIN right and left hand
Article number	5 400695 0 14602
EAN	4015471128371
Finish	Rustic Umber (156)
OF-No.	156
VPE	pack of 2
DIN	DIN right and left hand
Article number	5 400695 0 15602
EAN	4015471128401
Finish	Bronze Metallic (168)
OF-No.	168
VPE	pack of 2
DIN	DIN right and left hand
Article number	5 400695 0 16802
EAN	4015471128418
Finish	Bronze Finish (174)
OF-No.	174
VPE	pack of 2
DIN	DIN right and left hand
Article number	5 400695 0 17402
EAN	4015471128425

**TECTUS - TE 540 3D A8**

Finish	Bronze Finish light (175)
OF-No.	175
VPE	pack of 2
DIN	DIN right and left hand
Article number	5 400695 0 17502
EAN	4015471128432

Finish	Bronze Finish dark (176)
OF-No.	176
VPE	pack of 2
DIN	DIN right and left hand
Article number	5 400695 0 17602
EAN	4015471128449

Finish	coloured (079)
OF-No.	079
VPE	EUR-pallet
DIN	DIN right and left hand
Article number	5 400695 0 07975
EAN	4015471128241